

## PRODUCT FEATURES:

- Rear & Front View Camera Inputs
- Optional coding of ParkAssist to retrofit factory PDC
- Automatically switches screen to Rear-view when Reverse gear is engaged and to Front camera view when gear is engaged to drive
- Manual activation of the front camera using the steering wheel control button
- Plug & Play Installation
- Video in Motion function

## PARTS INCLUDED:

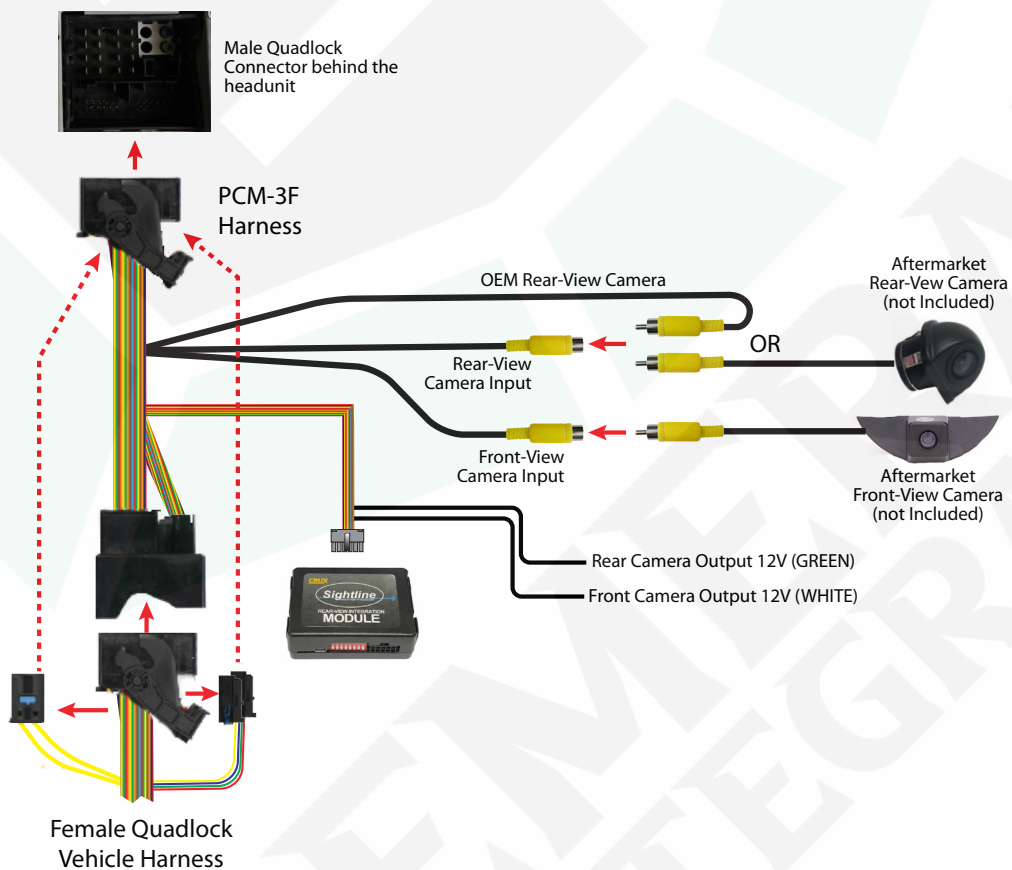


PCM-3F Module



PCM-3F Harness

## INSTALLATION DIAGRAM:



## DIP SWITCH SETTINGS:

Navigation System	DIP 1	DIP2	DIP3	DIP4	DIP5	DIP6
PCM3 with VIM Activated	ON	ON	OFF	OFF	OFF	OFF
PCM3 with VIM Deactivated	OFF	ON	OFF	OFF	OFF	OFF
PCM3.1 with VIM Activated	ON	ON	OFF	OFF	OFF	ON
PCM3.1 with VIM Deactivated	OFF	ON	OFF	OFF	OFF	ON

### DIP SWITCH FUNCTIONS:

- DIP 1 = Video in Motion Activation
- DIP 2 = ON for Aftermarket Rear View Camera / OFF for OEM Rear View Camera
- DIP 3 = Rear View Camera Coding (see page 3)
- DIP 4 = ParkAssist Coding for PCM3.1 systems only (see page 4)
- DIP 5 = Camera/ParkAssist Coding (see page 5)
- DIP 6 = CAN Bus Termination

## INSTALLATION INSTRUCTIONS:

The interface module is installed behind the headunit.

### CONNECTING THE INTERFACE MODULE

1. Remove the headunit.
2. Connect the female 12-Pin Molex connector of the PCM-3F T-harness to the interface module.
3. Unplug the female Quadlock connector from behind the headunit and plug it into the PCM-3F T-harness.
4. Plug the male Quadlock of the PCM-3F T-harness to the headunit.

### CONNECTING THE FACTORY REAR-VIEW CAMERA (Compatible with NTSC cameras only)

5. If the OEM rear-view camera will be used, plug in the male RCA labeled "OEM Rear-View Camera" to the female RCA labeled "Rear-View Camera".

### CONNECTING THE AFTERMARKET CAMERAS (Compatible with NTSC cameras only)

6. If using an aftermarket rear-view camera, install the aftermarket camera behind the vehicle and run the cable towards the radio. Plug in the male RCA of the aftermarket rear-view camera to the female RCA labeled "Rear-View Camera".
7. Connect the GREEN wire on the T-harness to the 12V power wire of the aftermarket camera. The GREEN wire will provide 12 volts power to the camera when the reverse gear is engaged. Power will deactivate automatically when the gear is set to drive and speed reaches to 12 MPH.
8. If an aftermarket front-view camera will be used, install the camera per manufacturer's installation instructions and run the extension cable towards the radio. Plug in the male RCA of the aftermarket rear-view camera to the female RCA labeled "Front-View Camera".
9. Connect the WHITE wire on the T-harness to the 12V power wire of the aftermarket camera. The WHITE wire will provide 12 volts power to the camera when the gear is set to drive. Power will deactivate automatically when the speed reaches 12 MPH.



## CODING THE RADIO FOR CAMERA FUNCTION:

### PCM3.1 Systems

It is necessary to code the rear-view camera input of the PCM3.1 system for use with an aftermarket rear-view camera.



Left side Steering Wheel Buttons



Right side Steering Wheel Buttons

1. Turn ignition to ON.
2. Wait until the headunit has completely booted and is in the home screen.
3. Make sure that the LEDs on the interface module is visible during this process. The LEDs are inside the module and are visible through the side of the male 8-pin Molex connector.
4. Please observe the proper coding sequence: First press and hold the HASH KEY/MODE then press and hold the PICK UP button. Continue to hold both buttons and check if the RED and BLUE LEDs are blinking. The PCM system will reset after 5-10 seconds.
5. Release both buttons.
6. The RED and BLUE LEDs will light up solid.
7. "Rear-View Camera" will show on the radio menu option after a successful coding.

To decode the aftermarket rear-view camera from the system, follow the steps below.

1. Turn ignition to ON.
2. Wait until the headunit has completely booted and is in the home screen.
3. Make sure that the LEDs on the interface module is visible during this process. The LEDs are inside the module and are visible through the side of the male 8-pin Molex connector.
4. Please observe the proper decoding sequence: First press and hold the HASH KEY/MODE button then press and hold the HANG UP button. Continue to hold both buttons and check if the RED and BLUE LEDs are blinking. The PCM system will reset after 5-10 seconds.
5. Release both buttons.
6. The RED and BLUE LEDs will light up solid.
7. "Rear-View Camera" will no longer show on the radio menu option after a successful decoding.



### CODING THE RADIO FOR PARKASSISTANT FUNCTION:

#### PCM3.1 Systems

It is necessary to code the ParkAssist of the PCM3.1 system to retrofit the factory PDC.



Left side Steering Wheel Buttons



Right side Steering Wheel Buttons

1. Turn ignition to ON.
2. Wait until the headunit has completely booted and is in the home screen.
3. Make sure that the LEDs on the interface module is visible during this process. The LEDs are inside the module and are visible through the side of the male 8-pin Molex connector.
4. Please observe the proper coding sequence: First press and hold the BACK button then press and hold the PICK UP button. Continue to hold both buttons and check if the RED and BLUE LEDs are blinking. The PCM system will reset after 5-10 seconds.
5. Release both buttons.
6. The RED and BLUE LEDs will light up solid.
7. "ParkAssist" will show on the radio menu option after a successful coding.

To decode the ParkAssist from the system, follow the steps below.

1. Turn ignition to ON.
2. Wait until the headunit has completely booted and is in the home screen.
3. Make sure that the LEDs on the interface module is visible during this process. The LEDs are inside the module and are visible through the side of the male 8-pin Molex connector.
4. Please observe the proper decoding sequence: First press and hold the BACK button then press and hold the HANG UP button. Continue to hold both buttons and check if the RED and BLUE LEDs are blinking. The PCM system will reset after 5-10 seconds.
5. Release both buttons.
6. The RED and BLUE LEDs will light up solid.
7. "ParkAssist" will no longer show on the radio menu option after a successful decoding.



## CODING THE RADIO FOR VEHICLES WITHOUT STEERING WHEEL CONTROLS:

### PCM3.1 Systems

It is possible to code and decode the radio for an aftermarket rear-view camera and ParkAssist functions on vehicles without steering wheel controls. This is done using DIP switch #3, #4 and #5.

DIP#	FUNCTION	ON	OFF
3	Rear-View Camera	Coding	Decoding
4	ParkAssist	Coding	Decoding
5	Activation of Coding/Decoding Process	5 sec. = Start	<b>Default setting</b>

1. Set DIP #5 to OFF.
2. Turn ignition to ON.
3. Wait until the headunit has completely booted and is in the home screen.
4. Make sure that the LEDs on the interface module is visible during this process. The LEDs are inside the module and are visible through the side of the male 8-pin Molex connector.
5. Set DIP #3 and DIP #4 to the desired function (coding or decoding)
6. Set DIP #5 to the ON position for 5 seconds.
7. During configuration, check if the RED and BLUE LEDs are blinking. The PCM system will reset after 5-10 seconds.
8. The RED and BLUE LEDs will light up solid.
9. "Rear-View Camera" and/or "ParkAssist" will show on the radio menu option after a successful coding.

### NOTES:

1. *After a coding or decoding process, wait for 60 seconds before another coding or decoding process can be made.*
2. *If there is a n existing factory PDC in the vehicle, set DIP #4 to the ON position while coding otherwise the factory PCD will be decoded.*

## CODING THE RADIO FOR REAR-VIEW CAMERA ON PORSCHE CAYENNE WITH PCM3 SYSTEM:

DIP#	FUNCTION	ON	OFF
3	Rear-View Camera	Coding	Decoding
5	ParkAssist	Coding	Decoding

1. Set DIP #5 to OFF.
2. Turn ignition to ON.
3. Wait until the headunit has completely booted and is in the home screen.
4. Make sure that the LEDs on the interface module is visible during this process. The LEDs are inside the module and are visible through the side of the male 8-pin Molex connector.
5. Set DIP #3 to the desired function (coding or decoding)
6. Set DIP #5 to the ON position for 5 seconds.
7. During configuration, check if the RED and BLUE LEDs are blinking. The PCM system will reset after 5-10 seconds.
8. The RED and BLUE LEDs will light up solid.
9. "Rear-View Camera" will show on the radio menu option after a successful coding.

### NOTE:

1. *After a coding or decoding process, wait for 60 seconds before another coding or decoding process can be made.*



**LED INFORMATION:**

LED	STATUS	DESCRIPTION
Blue	Solid Light	CAN Bus Communication OK
	Flashing	CAN Bus Search
Red	Solid Light	Rear-View Camera is Coded
	Flashing	Rear-View Camera is Decoded

**MANUAL ACTIVATION OF FRONT CAMERA:**

Press the HANG UP button on the steering wheel control for 3 seconds to manually activate or deactivate the front camera.


**VEHICLE APPLICATIONS:**
**Porsche**

2014 – 2016 Macan  
 2014 – 2016 911 GT3  
 2013 – 2016 911  
 2014 – 2016 Boxster  
 2009 – 2016 Cayenne  
 2014 – 2016 Cayman  
 2010 – 2016 Panamera

**Notes:**

1. PCM software version **MUST** be 4.xx or higher.
2. Video in Motion feature does not work on the internal DVD video player.

**Compatible Navigation Systems:**

PCM 3.1  
 PCM 3 (for Cayenne Only)

